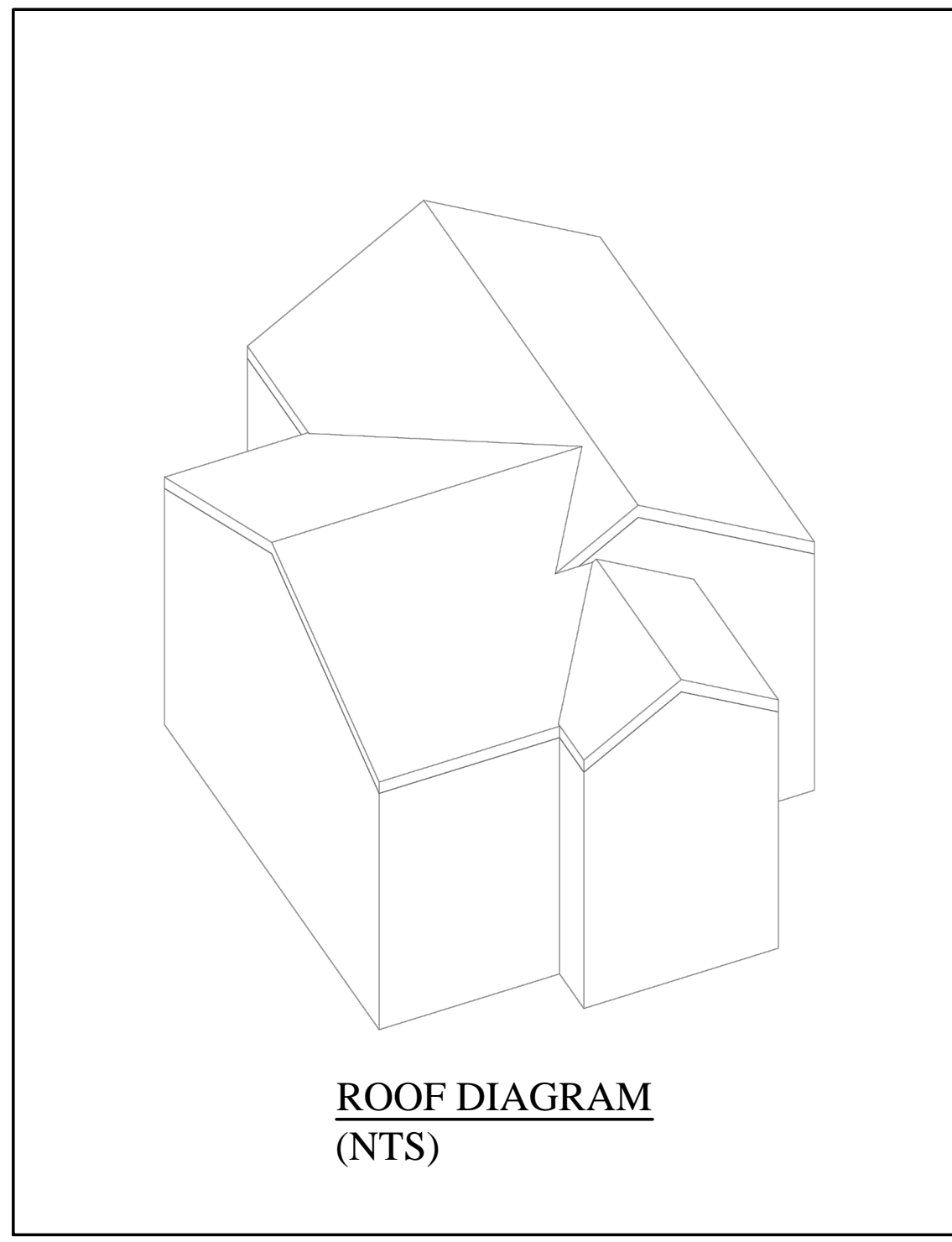
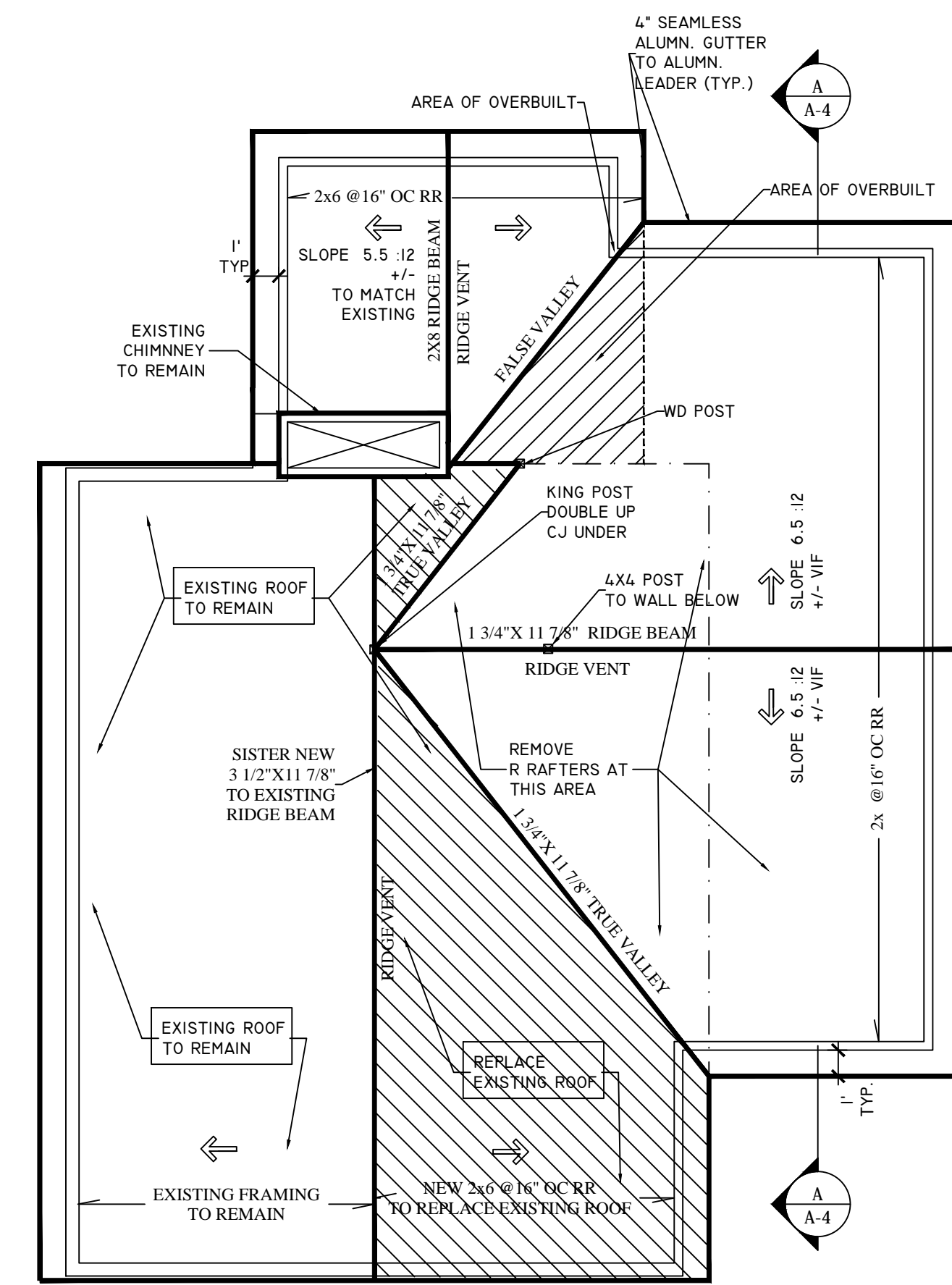


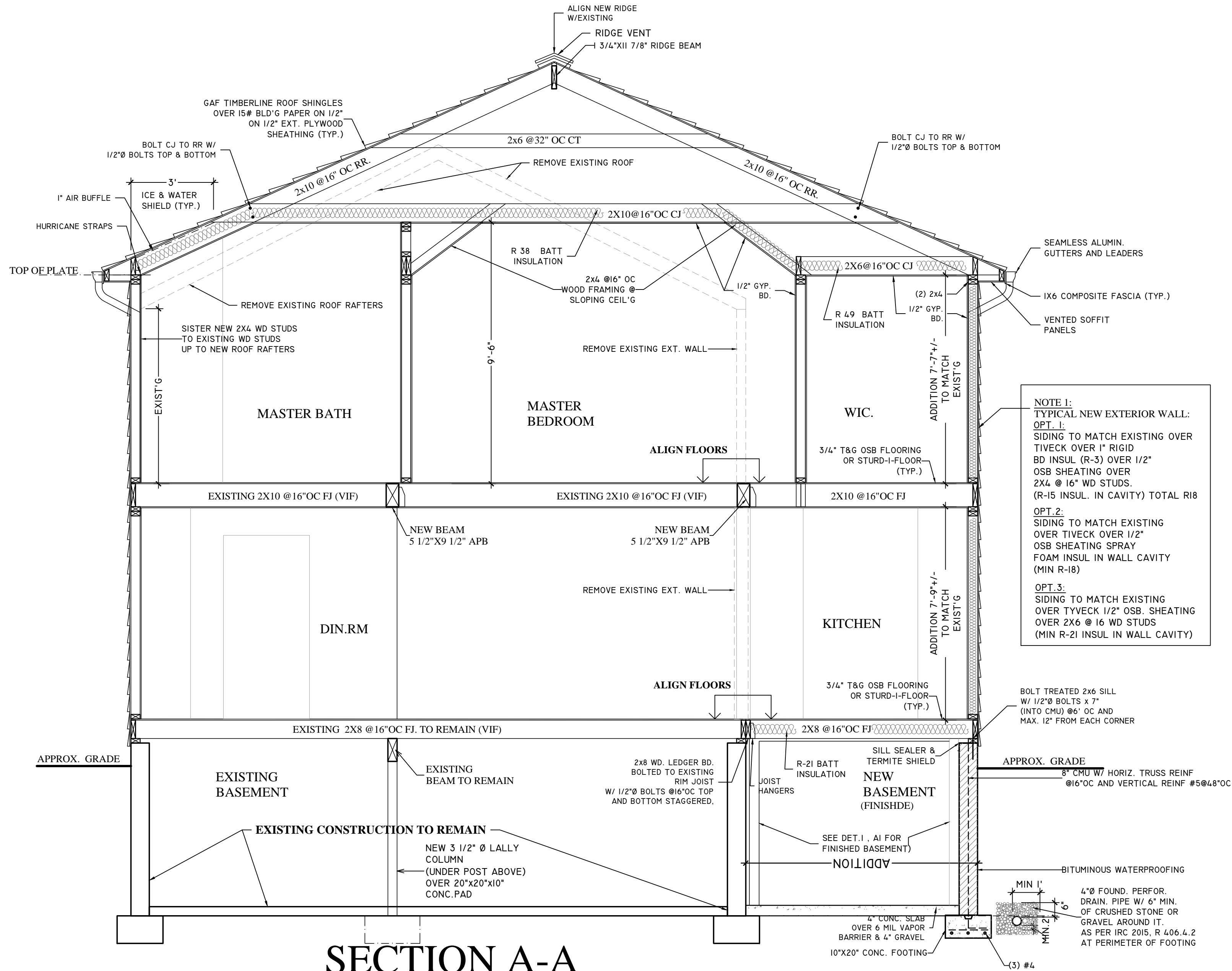
**PLUMBING RISER
DIAGRAM (NTS)**



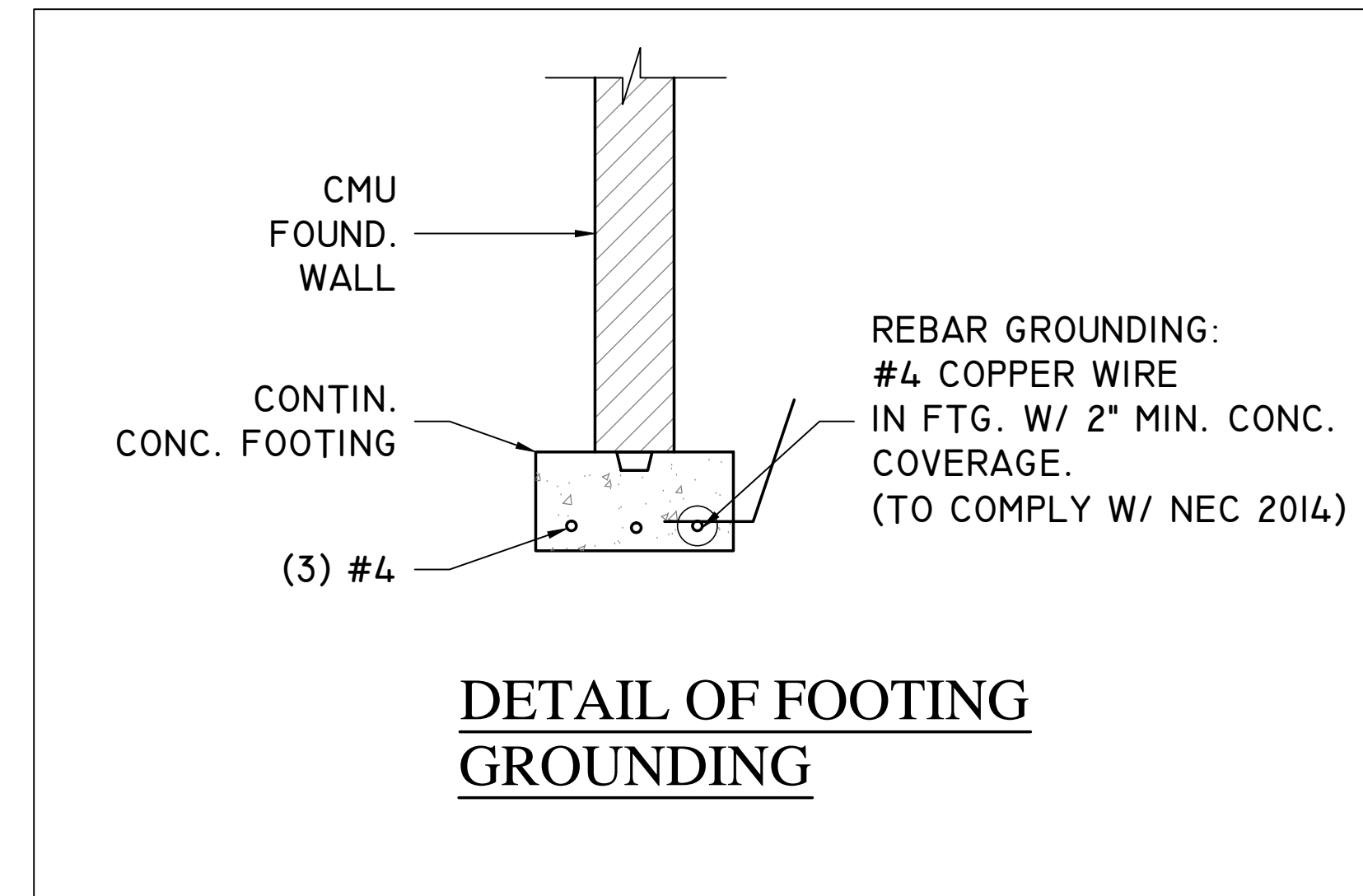
**ROOF DIAGRAM
(NTS)**



**ROOF PLAN
Scale 3/16" = 1'-0"**



SECTION A-A



**DETAIL OF FOOTING
GROUNDING**

Petersen Associates Architecture, Planning & Design ADDITION TO THE EXIST'G SINGLE FAMILY HOUSE 17 CLAREMONT DRIVE MILLBURN, NJ. <small>3 DUKE'S COURT - MORRISTOWN, NJ 07960 (973) 895 6200 FAX (973) 895 1161</small>		REVISION:	DATE:
		BLOCK No: 1805 LOT No: 5	11/30/2018 MP/V/C 18-2805 No: A-4 Of: 5
MARGARET PETERSEN A110648			